

## MBPCX 25 T4 0,18kW Zone 2: FAN (Ex h IIB T4 Gc) + MOTOR (Ex db IIC T4 Gb) (502302540XD)

### GENERAL DATA



PLASTIC ATEX FAN WITH FORWARD IMPELLER

#### MANUFACTURING FEATURES

- Housing made of PP-el plastic (for models size 35 and equal to or greater than size 45) other models PE-el casing
- Forward curved impeller in PP plastic.
- Motor support made of rolled steel sheet with polyester powder finishing coat.
- Stainless steel nuts and bolts.
- Standard asynchronous squirrel-cage motor, IP-55, class F insulation. Standard voltages 230/400V 50Hz for three phase motors up to 4kW and 400/690V 50Hz for higher powers. Equipped with ATEX motors

- Available positions (to be indicated in case of order): LG270, LG0, LG45, LG90, LG135, LG180, LG225, LG315, RD0, RD45, RD90, RD135, RD180, RD225, RD270, RD315.
- The indicated codes correspond to the model in position LG270

#### APPLICATIONS

Designed for inline installation, they are suitable for:

- Corrosive air transport.
- Chemical and petrochemical industry.
- Laboratories and gas cabinets.
- General ventilation in closed environments classified as ATEX zone 2.
- Maximum temperature of transported air: If it is clean air 70°C, other depends on the gas (see table in documentation)

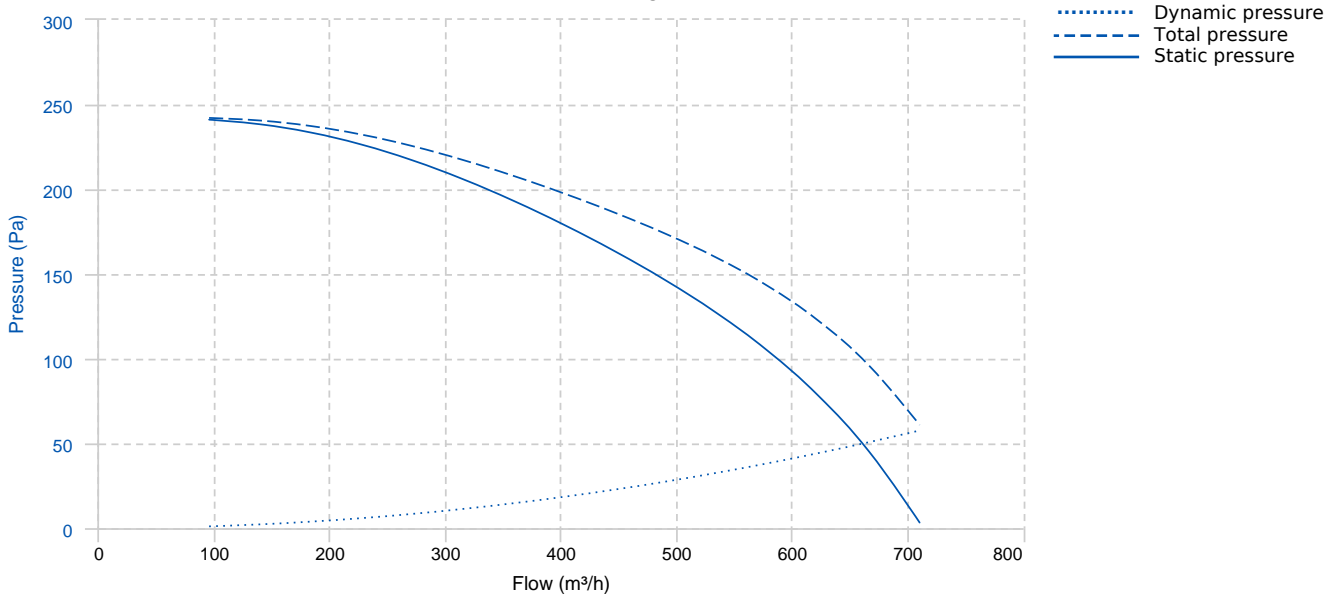
#### UNDER REQUEST

- 60Hz fans and special voltages fans.
- Stainless steel motor support.

In compliance with the ATEX Directive 2014/34/UE. Certified ATEX IIIG with certified ATEX motor for areas 2 (gas)

## PERFORMANCE CURVE

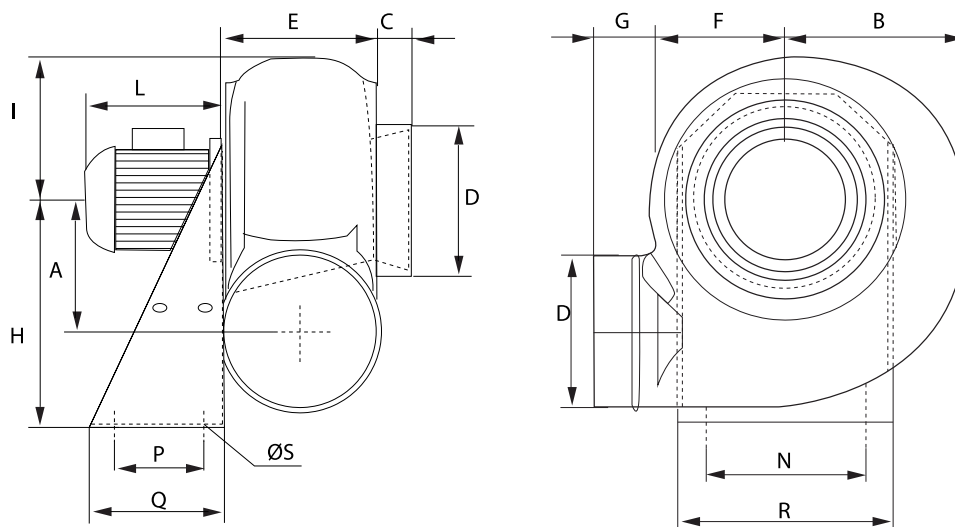
20 °C - m - 1.2 Kg/m<sup>3</sup>



## TECHNICAL DATA

Fan							
RPM	1380	Approx. weight	21 kg	Max. Flow	710 m³/h		
Motor							
Power	0,18 kW	RPM	1380	I max. (400V)	0,76 A	Size	63
Approx. weight	4 kg	Efficiency (%)	60 %	FP	0.67		

## DIMENSIONS

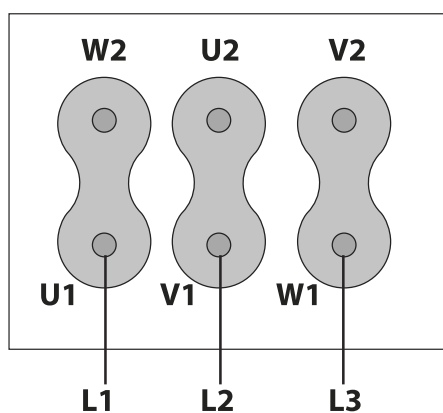


### Dimensions (mm)

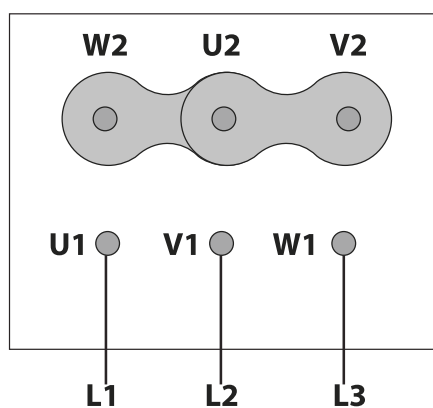
A	183	B	228	C	40	DØ	160	E	153
F	188	G	60	H	310	I	210	L	190
N	255	P	100	Q	140	R	290	ØS	11

### WIRING DIAGRAM

230V



400V



## ACCESSORIES



**ANTI-VIBRATING FLANGE 400°/2H**  
**BA-400 15/16**  
REF: 960002067



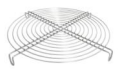
**ATEX SWITCH**  
**INT 16 ATEX**  
REF: 510200016X



**DIFUSOR GRID**  
**DG Ø160**  
REF: DG160



**ADJUSTABLE DAMPER**  
**AD Ø160**  
REF: AD-160



**STAINLESS STEEL PROTECTION GRID**  
**RPI Ø160**  
REF: RPI160



**ANTI-VIBRATION BLOCK**  
**AV 1**  
REF: AV-1



**FREQUENCY SPEED CONTROLLER**  
**SFC 400 III 1,2A \***  
REF: SFC400III1



**ANTI-VIBRATION SPRING BLOCK**  
**AVS (GENERIC)**



**ANTI-VIBRATION JOINT**  
**JE 45**  
REF: A-300719201



**PVC FLEXIBLE JOINT**  
**FJ Ø160**  
REF: FJ-160



**CIRCULAR GRAVITY DAMPER**  
**CSC Ø160**  
REF: CSC160



**DRAIN PLUG**  
**PD 1**  
REF: PD1



**WALL SUPPORT**  
**WS 1**  
REF: WS1

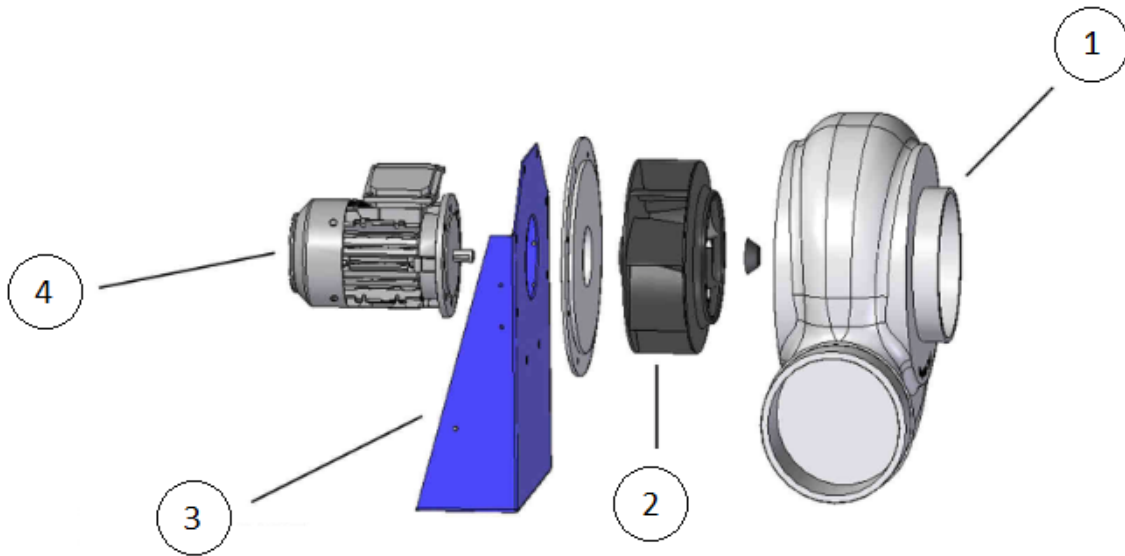


**FREQUENCY SPEED CONTROLLER**  
**SFC 230 I 2,5A \***  
REF: SFC230I003



**ANTI-VIBRATION RUBBER BLOCK**  
**AVR (GENERIC)**

**SPARE PARTS**



	Code	Model	Qty
1	T03102540	IMPELLER MBPCX 25 T4 0,18 kW LG	x1